



Image may differ from product. See technical specification for details.

## 7410

### Radial shaft seal with metal case and single sealing lip, for grease

Radial shaft seals are used between rotating and stationary machine components, or between components in relative motion. HM14 seals are designed with a sealant coated metal case. They have a conventional single sealing lip made of elastomer. Typical applications include grease lubricated agriculture machinery.

- Maximise the exclusion of contamination
- Accommodate low speed
- Easy installation

## Overview

### Dimensions

Shaft diameter	19.05 mm
Housing bore diameter	25.37 mm
Seal width	3.175 mm

### Performance

Limiting speed	3 940 r/min
Maximum operating temperature	100 °C
Minimum operating temperature	-40 °C
Permissible circumferential speed	3.93 m/s
Rotational speed	3 940 r/min

### Properties

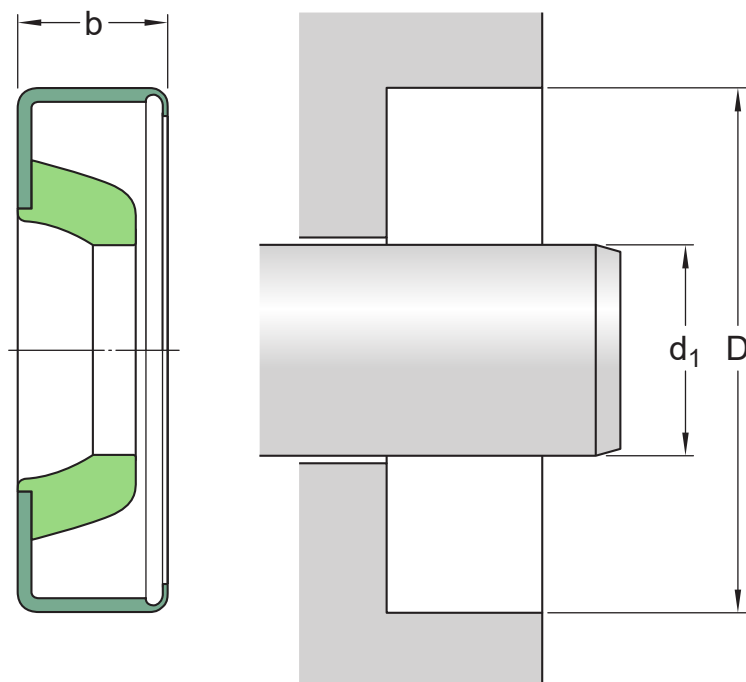
Design	HM14
Auxiliary lip	No
Sealing lip material	Nitrile rubber (NBR)
Type of outside diameter	Metal-cased
Unit system	Inch

### Logistics

Product net weight	0.0023 kg
eClass code	23-07-08-01
UNSPSC code	31181602

## Technical specification

Type of outside diameter	Metal-cased
Lip material	Nitrile rubber (NBR)
Seal design	HM14



## Dimensions

$d_1$	19.05 mm	Shaft diameter
$D$	25.37 mm	Housing bore diameter
$b$	3.175 mm	Seal width

## Application and operating conditions

Operating temperature	min. -40 °C
Operating temperature	max. 100 °C
Circumferential speed	max. 3.93 m/s
Rotational speed	max. 3 940 r/min
Pressure differential	0.07 N/mm <sup>2</sup>

## Associated products

---

SKF Speedi-Sleeve

[🔗](#) 99076

## Compatible products

### Recommended product

---

SKF Speedi-Sleeve

[99076](#)

## More Information

### Engineering information

[Radial shaft seals](#)

---

[Cassette seals](#)

---

[Wear sleeves](#)

---

[Track pin seals](#)

---

[Metal face seals](#)

---


[V-ring seals](#)

---


[Axial clamp seals](#)

---

### Related documents

 [Industrial sealing solutions \(644.6 KB\)](#)

---

 [HMS5 and HMSA10, shaft seals \(192.4 KB\)](#)

---

 [SKF Speedi-Sleeve \(591.9 KB\)](#)

---

 [SKF Mudblock seals \(350.0 KB\)](#)

---

### Catalogues

 [Industrial shaft seals \(7.2 MB\)](#)

---

 [Reinforced shaft seals \(1.7 MB\)](#)

---

 [CR Seals handbook \(7.9 MB\)](#)

---



# Terms of use

By accessing and using this website / app owned and published by AB SKF (publ.) (556007-3495 · Gothenburg) ("SKF"), you agree to the following terms and conditions:

## Warranty Disclaimer and Limitation of Liability

Although every care has been taken to assure the accuracy of the information on this website / app, SKF provides this information "AS IS" and DISCLAIMS ALL WARRANTIES, EXPRESS OR IMPLIED, INCLUDING, BUT NOT LIMITED TO, IMPLIED WARRANTIES OF MERCHANTABILITY AND FITNESS FOR A PARTICULAR PURPOSE. You acknowledge that your use of this website / app is at your sole risk, that you assume full responsibility for all costs associated with use of this website / app, and that SKF shall not be liable for any direct, incidental, consequential, or indirect damages of any kind arising out of your access to, or use of the information or software made available on this website / app.

Any warranties and representations in this website / app for SKF products or services that you purchase or use will be subject to the agreed upon terms and conditions in the contract for such product or service.

Further, for non-SKF websites / apps that are referenced in our website / app or where a hyperlink appears, SKF makes no warranties concerning the accuracy or reliability of the information in these websites / apps and assumes no responsibility for material created or published by third parties contained therein. In addition, SKF does not warrant that this website / app or these other linked websites / apps are free from viruses or other harmful elements.

## Third Party Services

When viewing YouTube content via the SKF website(s) (i.e. using [YouTube API Services](#)), you agree to be bound by the [YouTube Terms of Service](#).

## Copyright

Copyright in this website / app copyright of the information and software made available on this website / app rest with SKF or its licensors. All rights are reserved. All licensed material will reference the licensor that has granted SKF the right to use the material. The information and software made available on this website / app may not be reproduced, duplicated, copied, transferred, distributed, stored, modified, downloaded or otherwise exploited for any commercial use without the prior written approval of SKF. However, it may be reproduced, stored and downloaded for use by individuals without prior written approval of SKF. Under no circumstances may this information or software be supplied to third parties.

This website /app includes certain images used under license from Shutterstock, Inc.

## Trademarks and Patents

All trademarks, brand names, and corporate logos displayed on the website / app are the property of SKF or its licensors, and may not be used in any way without prior written approval by SKF. All licensed trademarks published on this website / app reference the licensor that has granted SKF the right to use the trademark. Access to this website / app does not grant to the user any license under any patents owned by or licensed to SKF.

## Changes

SKF reserves the right to make changes or additions to this website / app at any time.